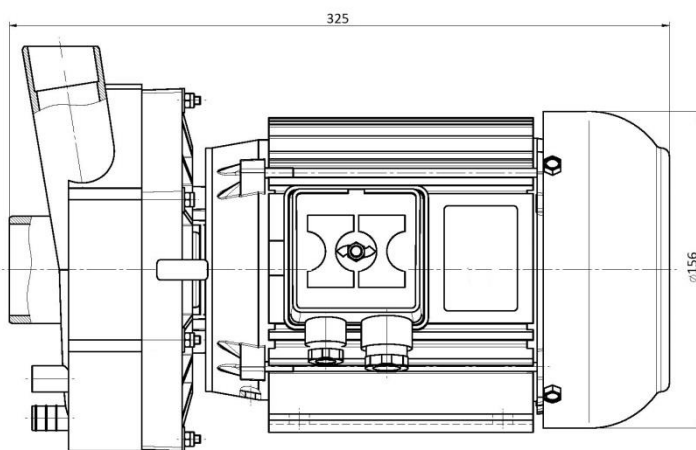


haflowtic PS 60 data sheet

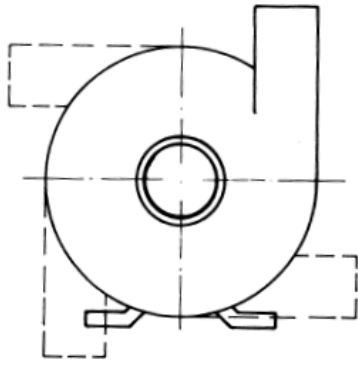


Technical data

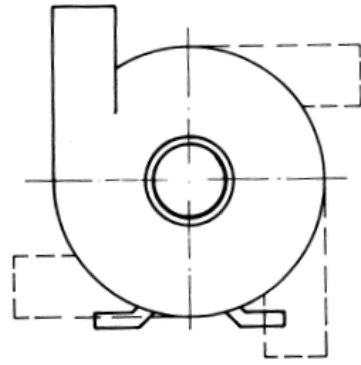


Description	Specification
Voltage	220–240 V/380–415 V
Frequency	50 (60 Hz on request)
Thermal protector	1~ internal (3~ on request)
Degree of protection	IP54
Ambient duty up to 60° C	Higher on request
Insulation class	F
Phase	1~/ 3~
Life time	Depends on application and medium to be pumped
Medium ph-level	To be tested in the application
Pump housing	Plastic PA glas fibre reinforced
Impeller	Plastic PA glas fibre reinforced
Sealing rubbers Mechanical seal	On request
Connection (customizable)	6,3 x 0,8 mm, connector, wire, terminal box
Capacitor (customizable)	
Approvals	On request (VDE, UL, CSA)
Draining nozzle	Optional
Inner diameter in/outlet	41/42 mm

Direction of rotation



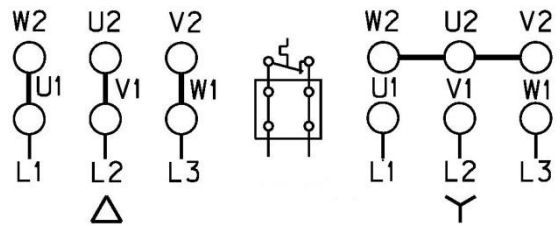
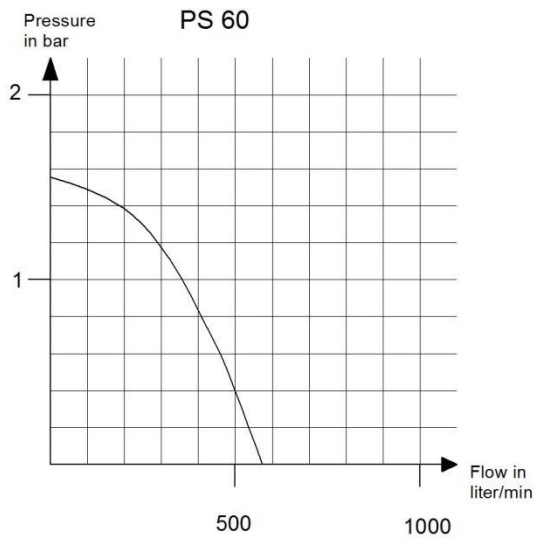
PS 60



PS 60R

Curve

Connection scheme (example)



Notes

