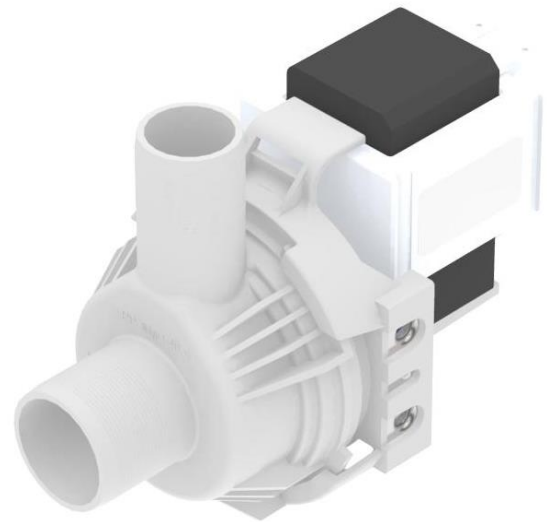
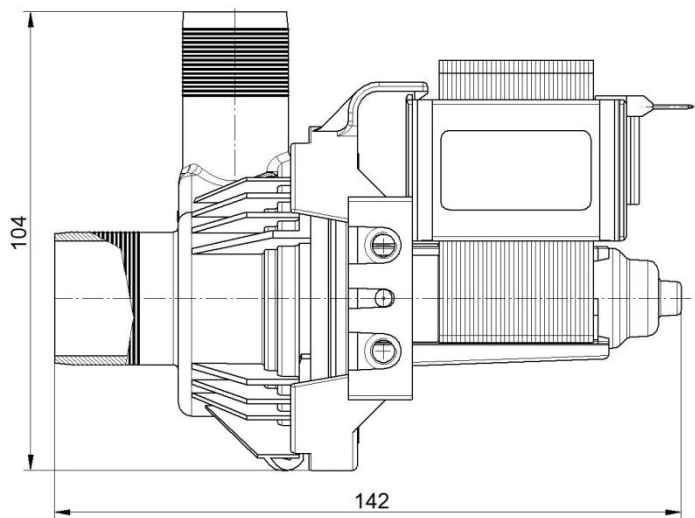


haflowtic DPS35 data sheet

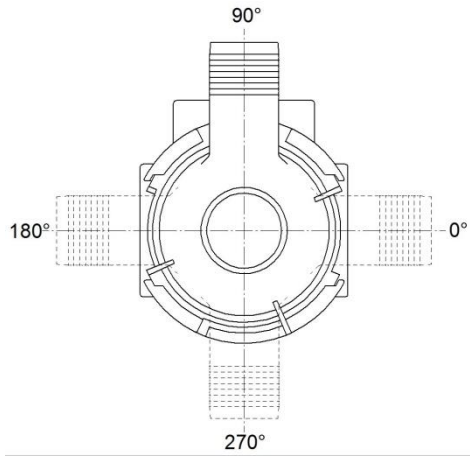


Technical data

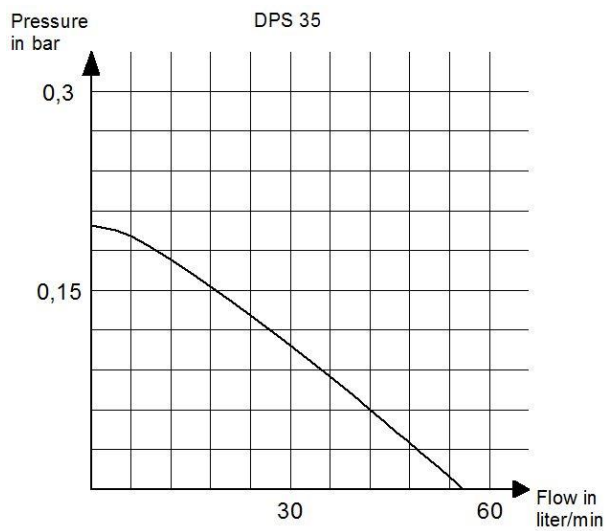


Description	Specification
Voltage	100 V/120 V/200-240 V
Frequency	50 Hz/60 Hz
Overheating protection	Impedance protected (thermal cut-off)
Degree of protection	IP00
Ambient temperature up to 60° C	Higher on request
Insulation class	F
Phase	1~
Life time	Depends on application and medium to be pumped
Medium ph-level	7 (4-11 with PP) to be tested in the application
Pump housing	Plastic PP glas fibre or mineral reinforced
Impeller	POM/PVDF
Sealing rubbers Mechanical seal	On request
Connection (customizable)	6,3 x 0,8 mm, spade terminals/Rast 5
Approvals	On request (VDE, UL, CSA, CCC, NSF)
Outer diameter in/outlet	30/24 mm (other on request)

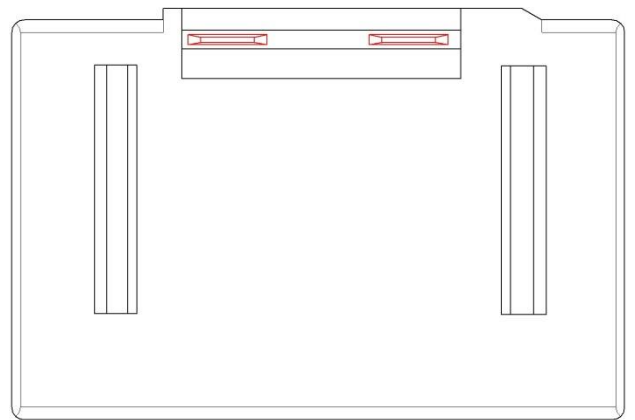
Direction of rotation



Curve



Connection scheme (example)



Notes

